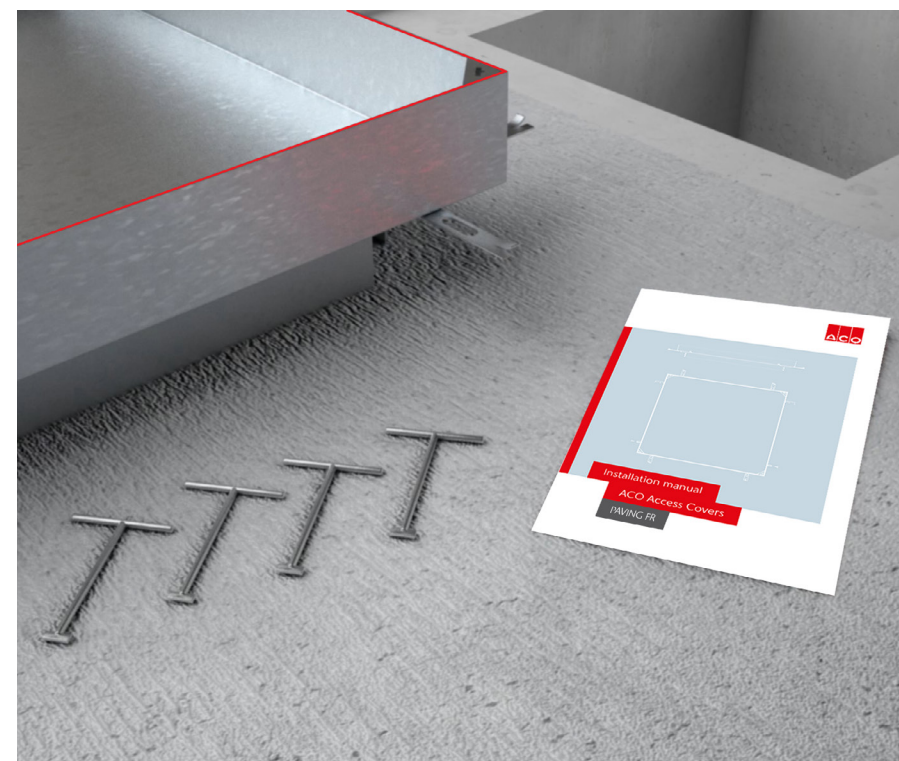
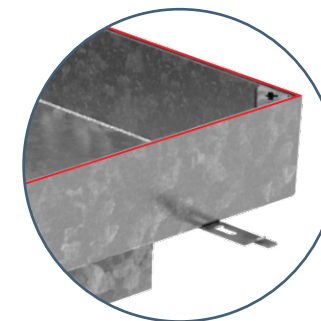
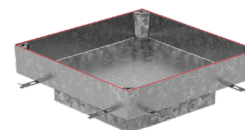


Installation manual

ACO Access Covers

PAVING FR

- | | |
|---|---|
| ENG Installation Manual
ACO Access Cover | EST Paigaldusjuhend |
| GER Installationsanleitung
ACO Schachtabdeckungen | LAV Uzstādīšanas instrukcija
ACO Tehnisko lūku vāki |
| FRA Instructions d'installation | LIT Montavimo instrukcija
ACO apžiūros liukai |
| ESP Manual De Instalación
ACO Tapas de registro | POL Instrukcja montażu |
| POR Manual de Instalação | BUL Инструкции за инсталация |
| ITA Manuale d'installazione
ACO Access Cover | HUN Beépítési útmutató |
| NLD Installatiehandleiding
ACO Toegangsluiken | RUM Instrucțiuni de instalare |
| CZE Instalační manuál | HRV Upute za ugradnju |
| RUS Инструкция По Установке | SLV Navodila za vgradnjo |
| SWE Installationsanvisning | SRP Preporuka za ugradnju |
| NOR Installasjons Manual | TUR ACO Müdahale Kapakları |
| FIN Asennusohje | |
| DAN Installationsvejledning | |



ACO Access Covers PAVING GS 80/FR

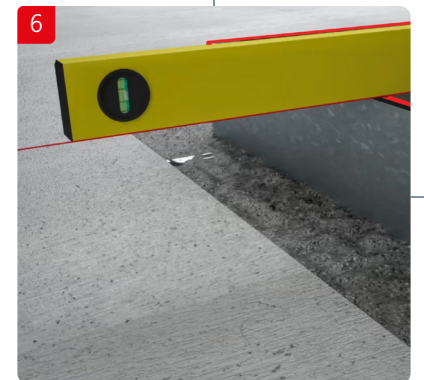
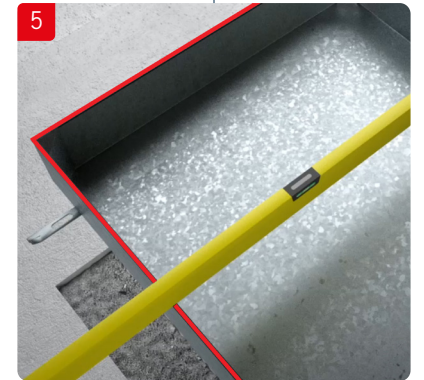
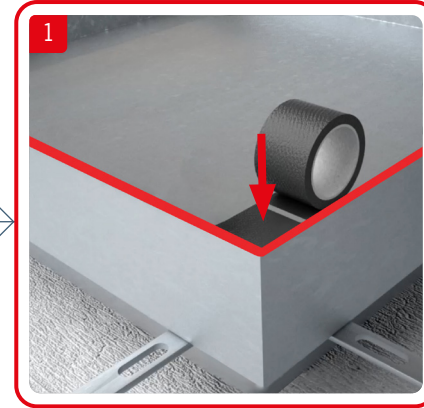
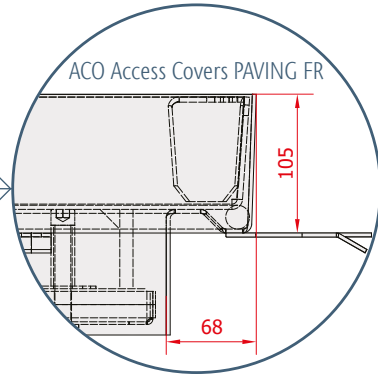
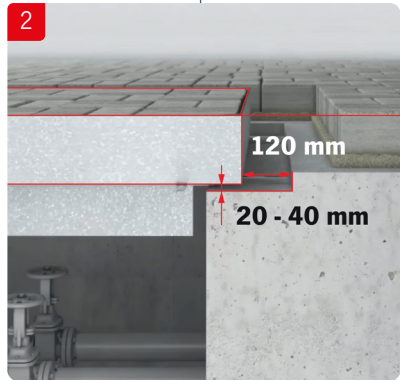
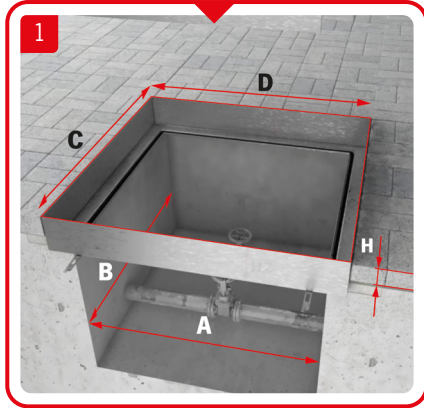
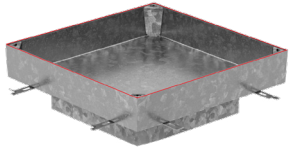
Order information

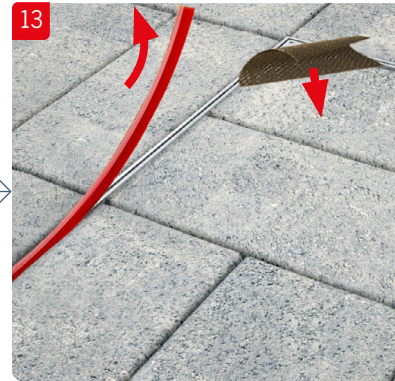
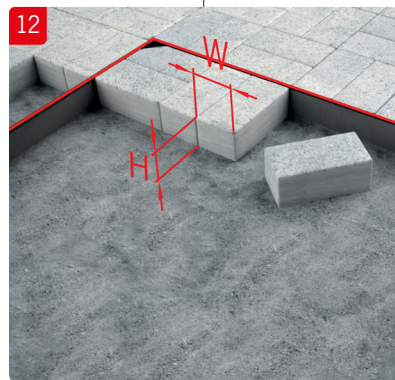
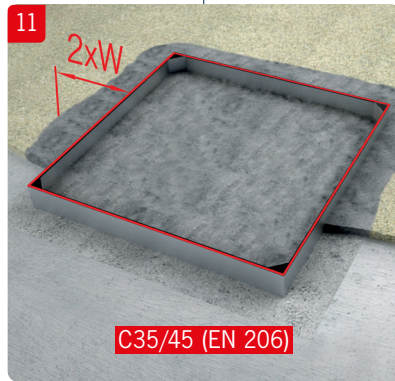
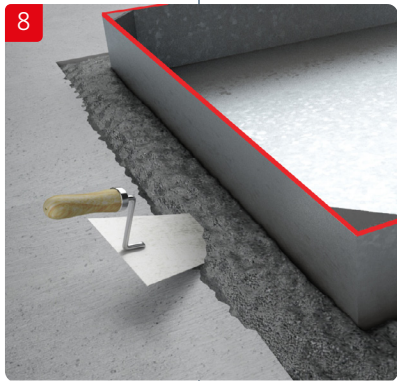
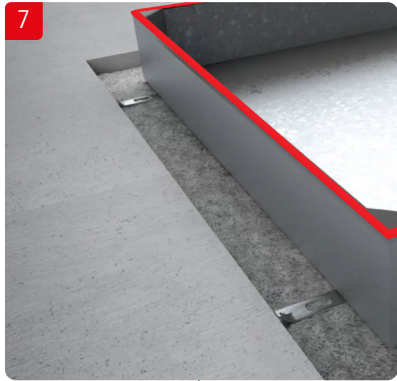
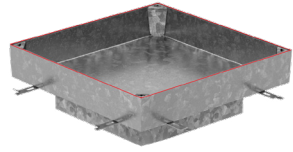
Clear opening (A x B)	External dimensions (C x D)	Frame height	Cover depth	Load class (EN 124)	Weight	EI	Part No.
[mm]	[mm]	[mm]	[mm]		[kg]		
300 x 300	436 x 436	104	80	A15	18,0	EI45	447991
400 x 400	536 x 536	104	80	A15	24,6	EI45	447992
500 x 500	636 x 636	104	80	A15	31,5	EI45	447993
600 x 600	736 x 736	104	80	A15	32,2	EI45	447994
400 x 600	536 x 736	104	80	A15	40,5	EI45	447995
300 x 300	436 x 436	104	80	B125	23,6	EI45	448002
400 x 400	536 x 536	104	80	B125	33,9	EI45	448003
500 x 500	636 x 636	104	80	B125	43,1	EI45	448004
600 x 600	736 x 736	104	80	B125	53,0	EI45	448005
400 x 600	536 x 736	104	80	B125	42,5	EI45	448010
300 x 300	436 x 436	104	80	C250	29,7	EI45	448012
400 x 400	536 x 536	104	80	C250	48,7	EI45	448013
500 x 500	636 x 636	104	80	C250	65,0	EI45	448014
600 x 600	736 x 736	104	80	C250	78,4	EI45	448015
400 x 600	536 x 736	104	80	C250	62,2	EI45	448020
400 x 400	536 x 536	104	80	D400	47,3	EI45	448022
500 x 500	636 x 636	104	80	D400	66,6	EI45	448023
600 x 600	736 x 736	104	80	D400	88,9	EI45	448024

ACO Access Covers PAVING GS 120/FR

Order information

Clear opening (A x B)	External dimensions (C x D)	Frame height	Cover depth	Load class (EN 124)	Weight	EI	Part No.
[mm]	[mm]	[mm]	[mm]		[kg]		
300 x 300	439 x 439	144	120	B125	27,6	EI45	448029
400 x 400	539 x 539	144	120	B125	38,7	EI45	448030
500 x 500	639 x 639	144	120	B125	48,8	EI45	448031
600 x 600	739 x 739	144	120	B125	59,5	EI45	448032
300 x 300	439 x 439	144	120	C250	34,1	EI45	448037
400 x 400	539 x 539	144	120	C250	54,1	EI45	448038
500 x 500	639 x 639	144	120	C250	71,3	EI45	448039
600 x 600	739 x 739	144	120	C250	85,7	EI45	448040
400 x 600	539 x 739	144	120	B125	48,2	EI45	448045
400 x 600	539 x 739	144	120	C250	68,7	EI45	448047
400 x 400	539 x 539	144	120	D400	53,4	EI45	448049
500 x 500	639 x 639	144	120	D400	73,9	EI45	448050
600 x 600	739 x 739	144	120	D400	97,3	EI45	448051





ACO. creating
the future of drainage



ACO products support
the ACO System Chain



-
- ACO Access Covers UNIFACE
Fire Resistance (FR)
 - ACO Access Covers PAVING
Fire Resistance (FR)
 - ACO Access Covers SOLID
Fire Resistance (FR)
-



ACO Industries k.s.

Havlickova 260
582 22 Pribyslav
Czech Republic

www.aco-accesscovers.com