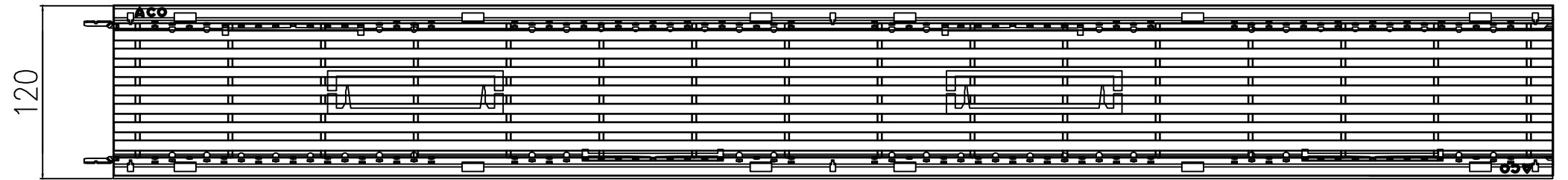
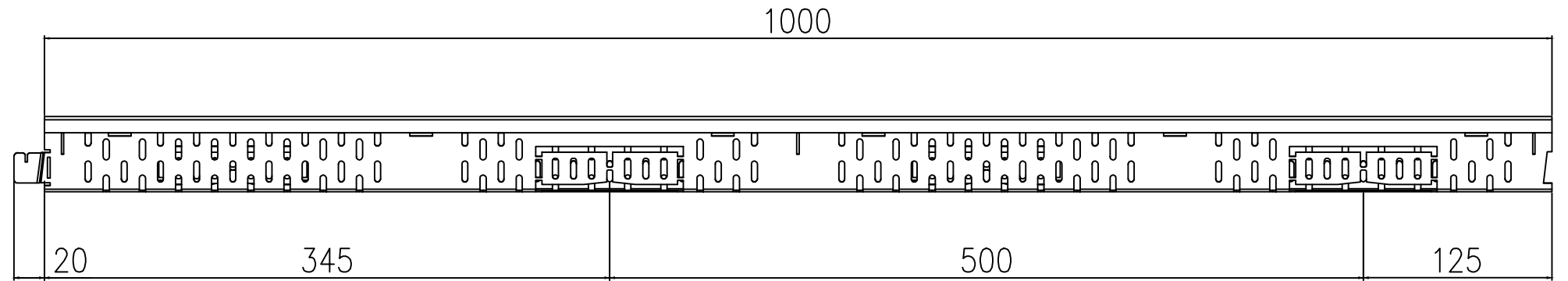
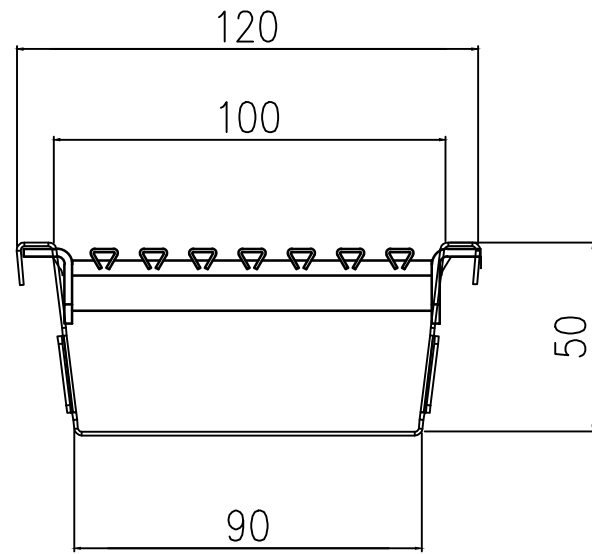


(1:2,5)



| | Name | Date |
|----|------|------------|
| By | KV | 28/11/2020 |



ACO Passavant NV/SA
Preenakker 8
B - 1785 Merchtem

Tel.: 052/38.17.70
Fax.: 052/38.17.71
info@aco.be
www.aco.be

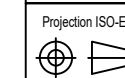
Dimensions

mm

Drawing
320103

ACO Highline met lengtestaafrooster 100,0 cm
ACO Highline avec grille passerelle longitudinale

Technische veranderingen voorbehouden - Sous réserve de changements techniques



The reproduction, distribution and utilization of this document as well as the communication of its contents to others without express authorization is prohibited. Offenders will be held liable for the payment of damages. All rights reserved in the event of the grant of a patent, utility model or design. Observe copyright by ISO 16016